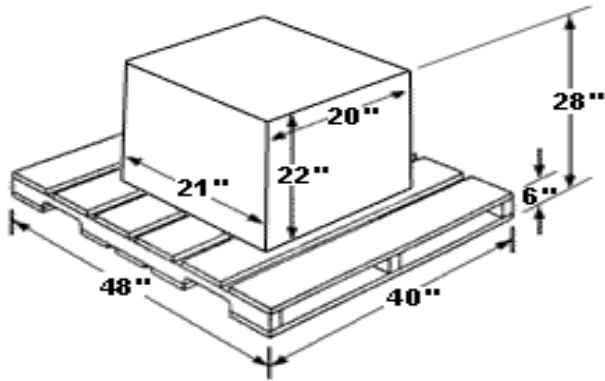


# Classifying Freight

If the shipment is palletized, use the dimensions of the pallet, the combined height of the carton(s) + the pallet, and the total weight of the shipment.



For boxed product, divide the weight by the cubic feet (rounded up) to find the freight class.

Width	Length	Height	Cubic Feet (ft <sup>3</sup> )	Rounded Up		
40	x	48	x	22	24.44	25
↓		↓		24	26.67	27
				26	28.89	29
				28	31.11	32
				30	33.33	34
				32	35.56	36
				34	37.78	38
				36	40.00	40
				38	42.22	43
				40	44.44	45
				42	46.67	47
				44	48.89	49
				46	51.11	52
				48	53.33	54
				50	55.56	56
				52	57.78	58
				54	60.00	60
				56	62.22	63
				58	64.44	65
				60	66.67	67
				62	68.89	69
				64	71.11	72
				66	73.33	74
				68	75.56	76
				70	77.78	78
				72	80.00	80
				74	82.22	83
				76	84.44	85
				78	86.67	87
				80	88.89	89

## NMFC Freight Classes

LB/Ft <sup>3</sup>	Class
Under 1	500
1 But Less than 2	400
2 But Less than 3	300
3 But Less than 4	250
4 But Less than 5	200
5 But Less than 6	175
6 But Less than 7	150
7 But Less than 8	125
8 But Less than 9	110
9 But Less than 10.5	100
10.5 But Less than 12	92.5
12 But Less than 13.5	85
13.5 But Less than 15	77.5
15 But Less than 22.5	70
22.5 But Less than 30	65
30 But Less than 35	60
35 But Less than 50	55
50 +	50